

BRADS

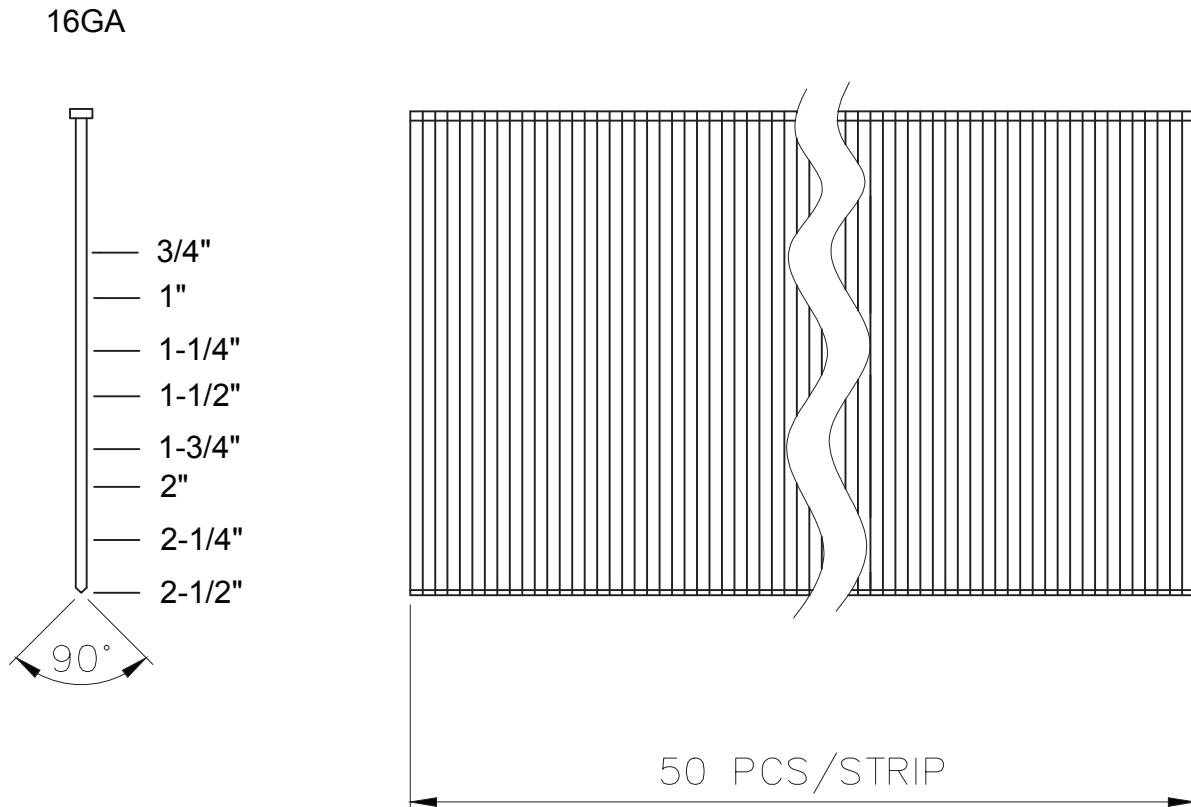
16 Gauge Brad Nails

Use with the following UNICATCH tools: UB1650 & UB1664

Interchangeable with: Bostitch, Hitachi, Senco, Porter-Cable, Fasco & Max

ITEM#	DESC.	LENGTH	WT/CTN (LBS)	M/BX	BXS/CTN	PLT Q'TY (BY CARTONS)	LIST PRICE	
							PER/M	PER/CTN
84919	T20	3/4"	45	2.5	24	60	\$2.50	\$150.00
84922	T25	1"	58	2.5	24	40	\$2.70	\$162.00
84925	T32	1-1/4"	69	2.5	24	32	\$3.07	\$184.00
84927	T38	1-1/2"	40	2.5	12	60	\$3.23	\$97.00
84930	T45	1-3/4"	47	2.5	12	68	\$3.47	\$104.00
84932	T50	2"	54	2.5	12	40	\$3.93	\$118.00
84934	T57	2-1/4"	30	2.5	6	80	\$4.20	\$63.00
84936	T64	2-1/2"	33	2.5	6	90	\$4.60	\$69.00

Actual Size



****Stainless steel available on special order. Please call for quote and availability****